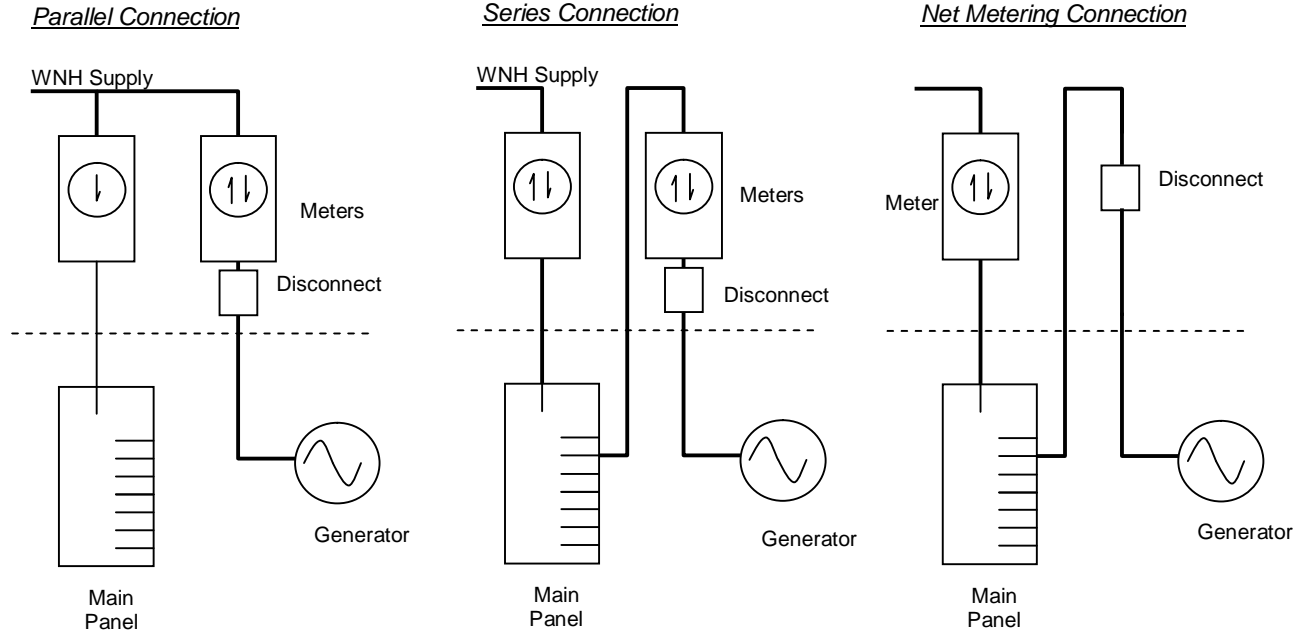


**Waterloo North Hydro Inc (WNH) Generator
Connection/Metering Requirements– April 9th, 2010**

****Series Connections Temporarily Not Allowed****



WNH Generator Charges (excl.GST)	Parallel Connection (1 phase)	Series Connection (1 phase)	Net Metering (1 phase)
Metering	\$279.66	\$559.31	\$279.66
Monthly Account	\$5.25	\$5.25	\$0
Connection *	tbd.	tbd.	tbd.

Notes:

1. Generator installations must meet all applicable safety requirements including the requirements of the Electrical Safety Authority and WNH.
2. These requirements apply to generator connections made under the Ontario Power Authority’s renewable generation programs. All payments to be in accordance with OPA program requirements and current WNH billing practices.
3. A WNH “Offer to Connect” is required for all new, upgraded, or modified connections/accounts – contact the WNH Engineering department.

* Additional service connection/metering/isolation costs may apply. Complete cost estimates are provided on all “offers to connect”.

WNH Engineering Dept. Approval: _____ Date: _____